

FITTING INSTRUCTIONS – NOTICE DE POSE – MONTAGE HANDLEIDING – MONTAGEANLEITUNG

ISTRUZIONI DI MONTAGGIO – INSTUCCIONES DE MONTAJE

## Tools Required



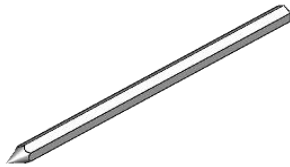
Posi Screwdriver



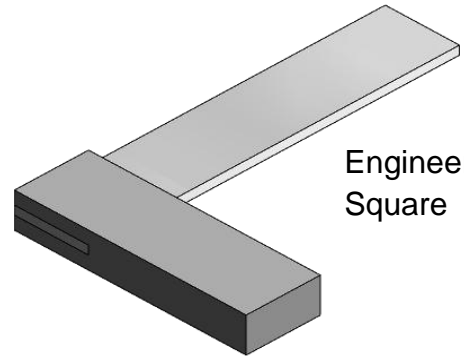
Bradawl



Tape Measure

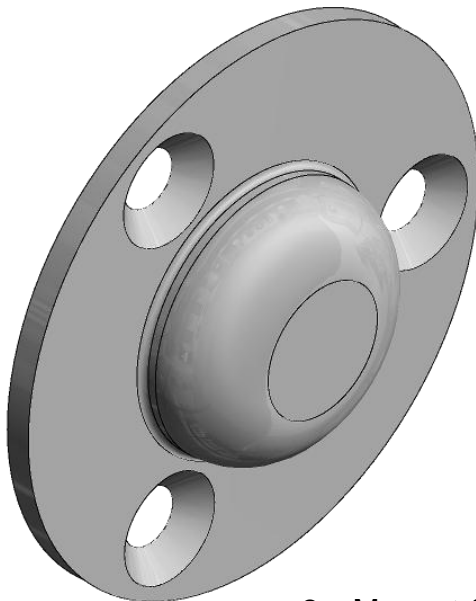


Pencil

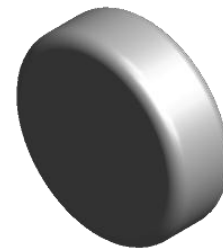


Engineers Square

## Content of Kit



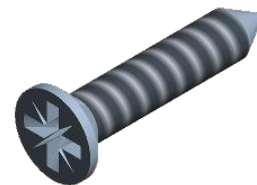
2 x Magnet Covers



2 x Magnets

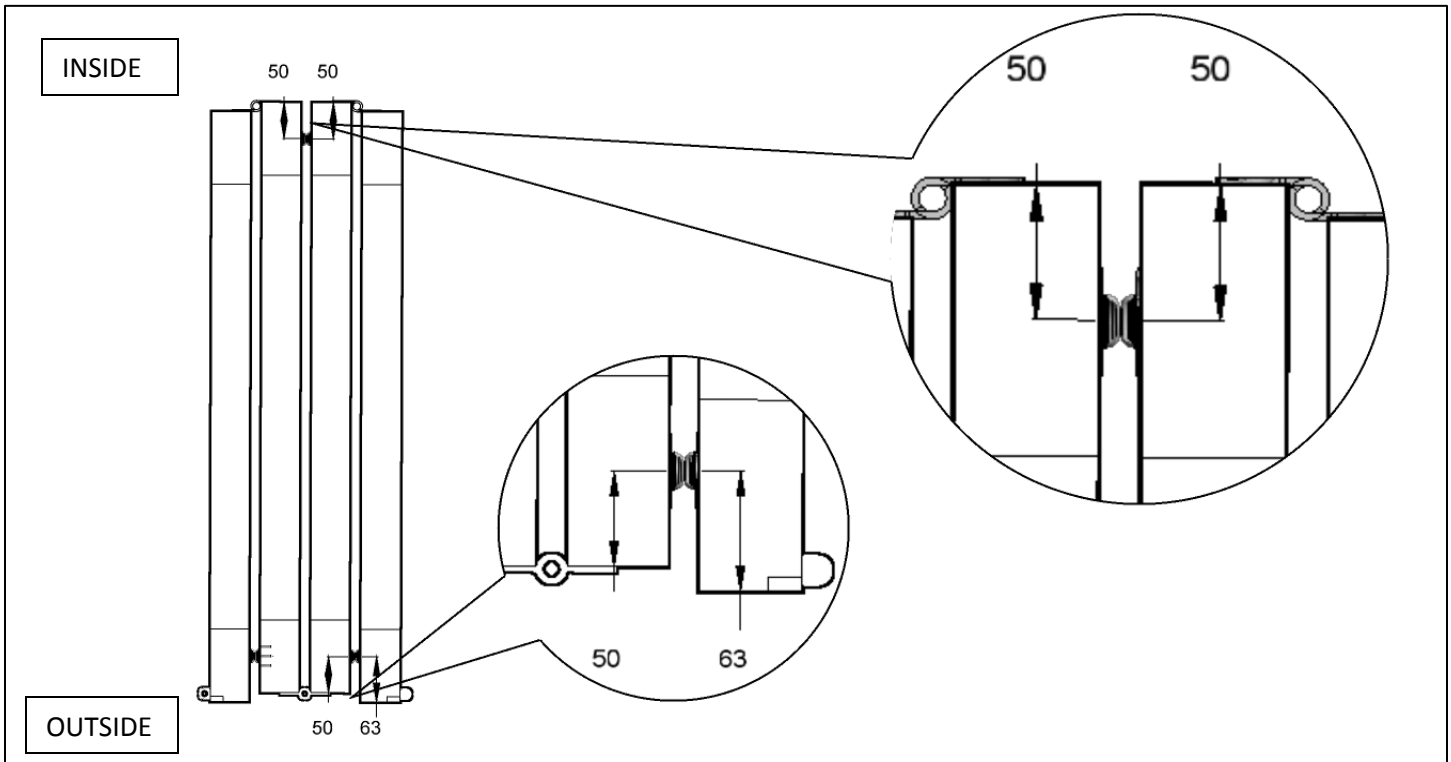


**Caution**  
when  
handling  
magnets



6 x Screws

Magnet positioning – Horizontal on face of door (Plan view)



Magnet positioning – vertical on face of door

Ensure magnets in correct orientation to attract BEFORE ATTACHING TO DOOR

