

RUSTIC 100

HENDERSON

100kg Wood Metal Interior

Unique sliding door hardware with beautifully crafted barn style hangers, for doors weighing up to 100kg

Overview

Rustic 100 is ideal for barn conversions, period properties or simply for a unique feature in the home. Suitable for internal doors weighing up to 100kg, the system creates a traditional look for sliding wooden or metal doors with the exposed steel straps fastening down the front of the door to support the rustic finish. The system is available in a choice of finishes including; matt black powder coat, stainless steel or our new antique rust effect. Tracks are available in 2m or 3m lengths and a fittings kit can be purchased for when an extra door is required.

The system is also now available with an included single or dual soft close (80kg capacity) - a great addition to get the most out of your Rustic system. Simply push the door and the soft close will gently decelerate the door and glide it into its final position, preventing unwanted slamming. The easy to install soft stop kit can be fitted to new or existing applications and can be combined with any finish of kit due to its discreet design.

Features and Benefits

- Available in 2m or 3m track lengths
- Black, stainless steel or our new antique rust finish
- Fittings kit available for double door specifications
- Available as standard, single soft close or dual soft close
- Installation video available at www.pchenderson.com







Product and Door Specification

Kit Order Code			Finish	Track Length	Door Thickness Range	Door Width Range	Max. Door Weight	Max. Door Weight (when using soft close)
Standard Kits	With Single Soft Close	With Dual Soft Close						
R100/20	R80SOFT/20	R80SOFTD/20	Black	2000mm	36 - 46mm	500 - 1000mm	100kg	80kg
R100/30	R80SOFT/30	R80SOFTD/30	Black	3000mm	36 - 46mm	500 - 1500mm	100kg	80kg
R100SS/20	R80SSSOFT/20	R80SSSOFTD/20	Stainless Steel	2000mm	36 - 46mm	500 - 1000mm	100kg	80kg
R100SS/30	R80SSSOFT/30	R80SSSOFTD/30	Stainless Steel	3000mm	36 - 46mm	500 - 1500mm	100kg	80kg
R100RUST/20	R80RUSOFT/20	R80RUSOFTD/20	Antique Rust	2000mm	36 - 46mm	500 - 1000mm	100kg	80kg
R100RUST/30	R80RUSOFT/30	R80RUSOFTD/30	Antique Rust	3000mm	36 - 46mm	500 - 1500mm	100kg	80kg

Kit Contents

- Hangers (x2)
- Door Stops (x2)
- Floor Guide (x1)
- "Flat Track" (x1)
- Track Wall Spacers (x 5 for 2000mm, x 7 for 3000mm)
- Anti-Jump Cam (x2)
- Oval Flush Pulls (x2)

Accessories

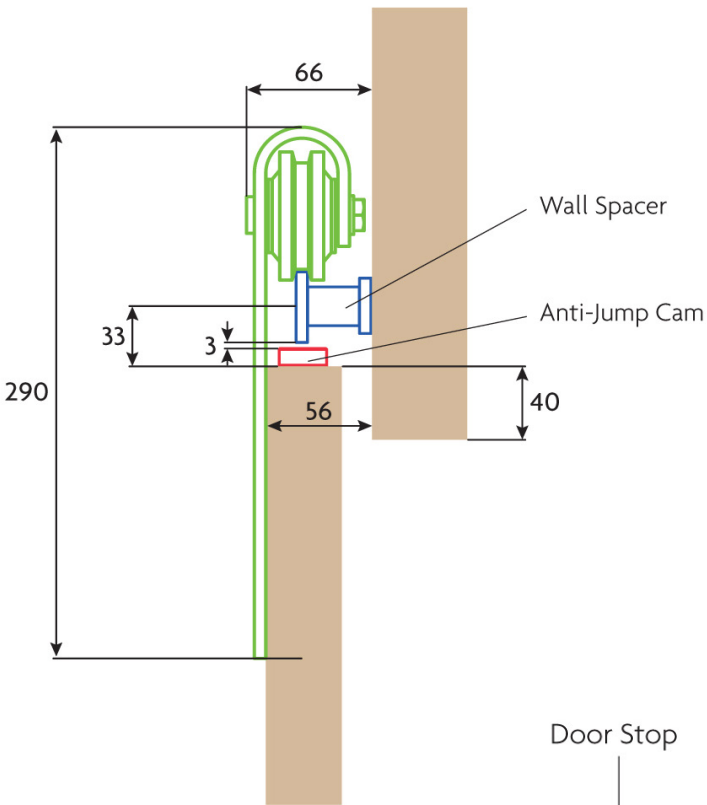
R80SOFT	Soft Stop (80kg capacity)	
R100	1 Door Fittings Kit in Black	
R100SS	1 Door Fittings Kit in Stainless Steel	
R100RUST	1 Door Fittings Kit in Antique Rust	



Watch the Installation Video

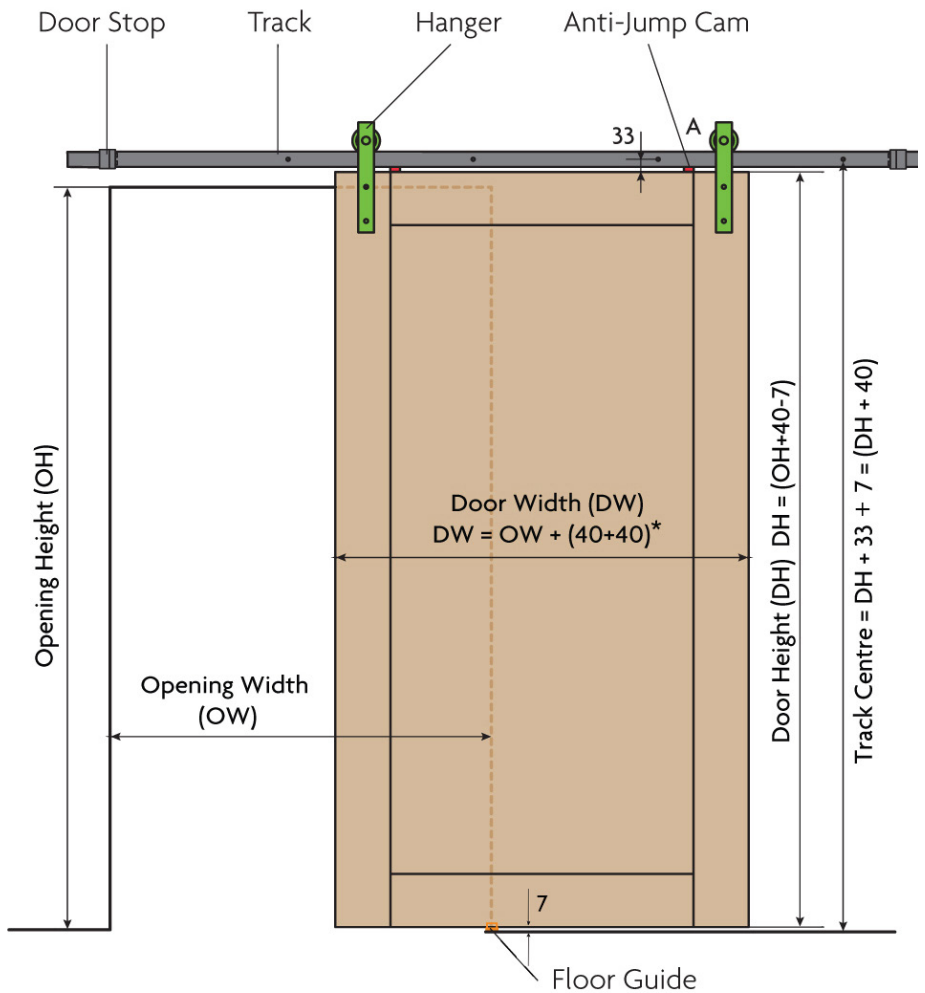
Visit www.pchenderson.com/rustic-installation or scan the QR code using your phone





Soft Close Configuration when Installing Bi-Parting Doors

Track	2 Soft Closers (one on each door)	4 Soft Closers (two on each door)
3m Track	Yes (762mm min. door width)	Not possible
4m Track (2 x 2m)	Yes	Yes (900mm min. door width)



* PCH Suggests 40mm overlap of the door to the opening

For further information, please contact us on:

UK Sales

T: +44 (0) 191 377 7345

E: sales@pchenderson.com

W: www.pchenderson.com

Export Sales

T: +44 (0) 191 377 7346

E: international@pchenderson.com

W: export.pchenderson.com