

# Stainless Steel Component Drawings

For areas exposed to extreme levels of corrosive elements or where a high level of hygiene is essential, P C Henderson has developed a stainless steel range. Manufactured from high quality stainless steel and incorporating the latest polymers, the range can be used for a variety of applications including chemical factories, oil rigs, abattoirs, cold storage, food processing plants and areas exposed to salt water.

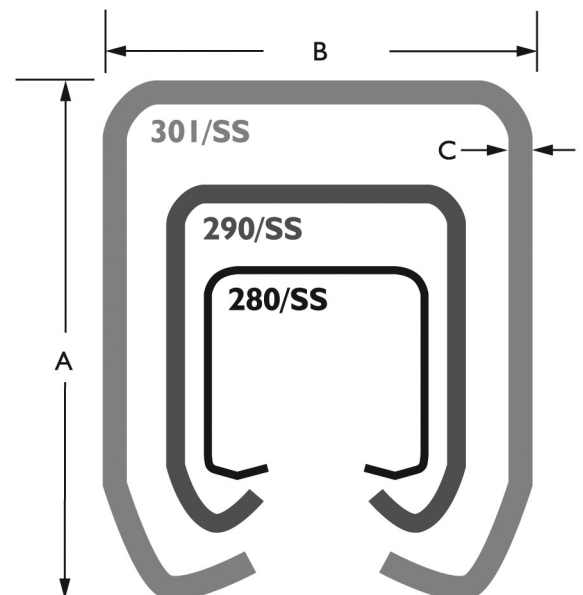
Stainless Steel product information can be found on pages 54 and 55.

## Stainless Steel Track, Guide Channel and Guide Drawings

### Track

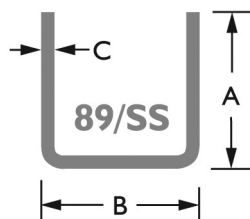
Track	Dimensions (mm)			Capacities for Straight Sliding Doors		
	A	B	C	Door Thickness	Max. Door Height	Max. Door Weight
280/SS	28.5	31.7	1	20 - 50mm	2400mm	50/100kg
290/SS	45	39	1.5	35 - 48mm	3000mm	150kg
301/SS	68	56	2.5	43 - 57mm	3600mm	270kg

All track and channels are made out of grade 316L (A4) stainless steel and supplied in 2000 or 3000mm lengths.



### Channel

Channel	Dimensions (mm)		
	A	B	C
89/SS	20.5	20	1.5



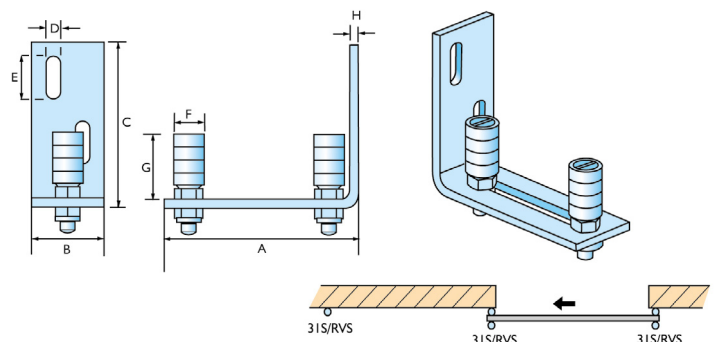
Guides and guide channels are essential for stability, safety and functioning of the system.

### Guides

#### 31S/SS

Made with grade 316 (A4) stainless steel angle with horizontal adjustable nylon guiding wheels on grade 304 (A2) stainless steel bolts. This guide provides unhindered access and is suitable for applications where dirt might enter the guide channel and hinder sliding.

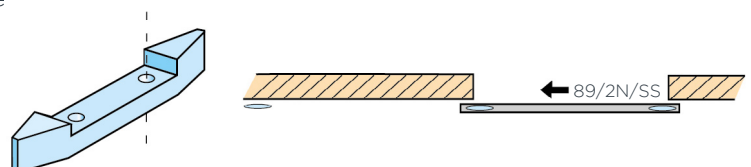
Dimensions (mm)							
A	B	C	D	E	F	G	H
135	50	115	11	25	22	60	4



#### 89/2N/SS

Torpedo guide to be used in conjunction with 89/SS guide channel rebated in door or fixed to underside of door.

Dimensions (mm)							
A	B	C	D	E	F	G	H
9	16	150	80	35	48	54	25



# Stainless Steel Bracket and Stop Drawings

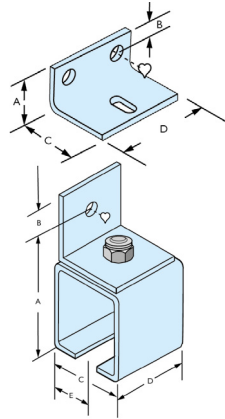
The centre-to-centre distance of the brackets can vary depending on track length. Recommended spacing is 600mm and in case of maximum load 500mm.

Joining brackets are required at each track joint, the letter X indicates the joining bracket.

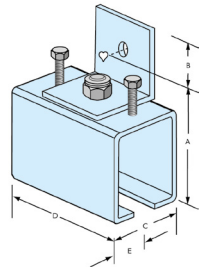
It is recommended, should the stainless steel brackets or track be fitted directly to a material which is not of stainless steel, that a packing be placed between the two surfaces to avoid possible contact corrosion. All brackets are made in marine grade 316 (A4) stainless steel, all nuts and bolts in grade 304 (A2) stainless steel.

## Face Fixed Brackets

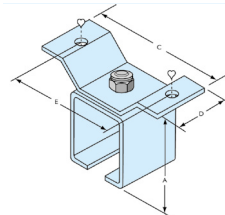
1/SS						
Short Code	Dimensions (mm)					Bolt
	A	B	C	D	E	
281/SS	20	7	28	40	-	M5
1/290/SS	86	20	50	42	25	M8
1/301/SS	110	27	66	66	33	M10



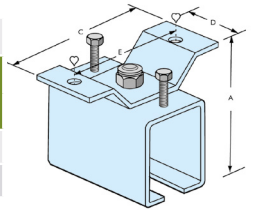
1X/SS						
Short Code	Dimensions (mm)					Bolt
	A	B	C	D	E	
1X/290/SS	86	20	50	100	25	M8
1X/301/SS	110	27	66	113	33	M10



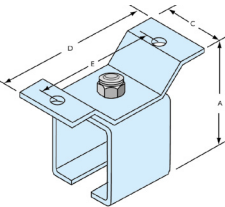
3/SS						
Short Code	Dimensions (mm)					Bolt
	A	B	C	D	E	
3/290/SS	76	-	88	40	65	M8
3/301/SS	99	-	136	60	106	M10



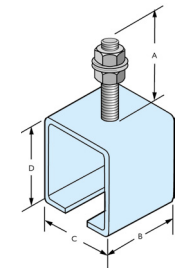
3X/SS							
Short Code	Dimensions (mm)					Bolt	
	A	B	C	D	E		F
3X/290/SS	76	-	88	40	65	-	M8
3X/301/SS	99	-	136	60	106	-	M10



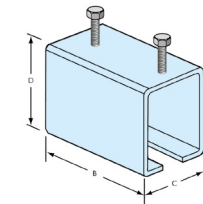
4/SS						
Short Code	Dimensions (mm)					Bolt
	A	B	C	D	E	
4/290/SS	76	-	40	88	65	M8
4/301/SS	99	-	60	136	106	M10



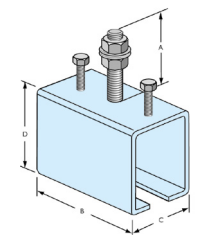
4R/SS						
Short Code	Dimensions (mm)				Bolt	
	A	B	C	D		
4R/280/SS	50	50	37	39	M8	
4R/290/SS	50	42	50	56	M10	
4R/301/SS	65	66	66	80	M10	



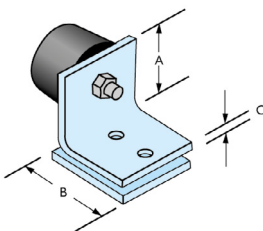
4X/SS						
Short Code	Dimensions (mm)				Bolt	
	A	B	C	D		
4X/290/SS	-	100	50	56	M10	
4X/301/SS	-	113	66	80	M12	



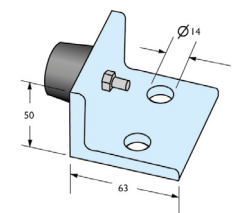
4RX/SS						
Short Code	Dimensions (mm)				Bolt	
	A	B	C	D		
4RX/280/SS	50	50	37	39	M8	
4RX/290/SS	50	100	50	56	M10	
4RX/301/SS	65	113	66	80	M12	



HH3/SS			
Short Code	Dimensions (mm)		
	A	B	C
HH3/290/SS	40	40	5
HH3/301/SS	40	40	5



109/SS			
Short Code	Dimensions (mm)		
	A	B	C
109/SS	63	50	14

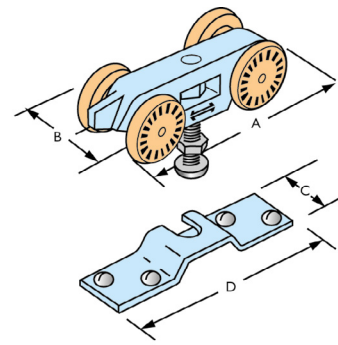


# Stainless Steel Hanger Drawings

## 284 and 285

Short Code	Track Type	Door Material	Dimensions (mm)					Max. Door Weight*
			A	B	C	D	ø	
284N/SS	280	Wood	62.5	27.5	21	80	8	50kg
285N/SS	280	Metal	62.5	27.5	-	-	8	50kg
284/SS	280	Wood	62.5	27.5	21	80	8	100kg
285/SS	280	Metal	62.5	27.5	-	-	8	100kg

Hanger body and wheels of high performance nylon. All metal components in grade 304 (A2) stainless steel.

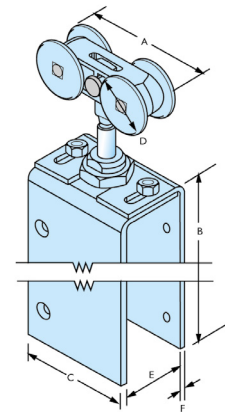


## 53

Short Code	Track Type	Door Material	Dimensions (mm)						Max. Door Weight*
			A	B	C	D	E	F	
53/290/SS**	290	Wood	87	180	77	37	43/58	3	150kg
53/301/SS***	301	Wood	135	180	77	49.5	43/53	3	270kg

\*\* Hanger body of high performance nylon. All other components in grade 304 (A2) stainless steel

\*\*\* Complete in grade 304 (A2) stainless steel

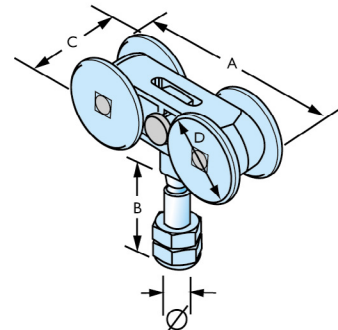


## 56

Short Code	Track Type	Door Material	Dimensions (mm)					Max. Door Weight*
			A	B	C	D	ø	
56/290/SS**	290	Metal	87	40	30	37	M10	150kg
56/301/SS***	301	Metal	135	78	43	49.5	M16	270kg

\*\*Hanger body of high performance nylon. All other components in grade 304 (A2) stainless steel

\*\*\* Complete in grade 304 (A2) stainless steel

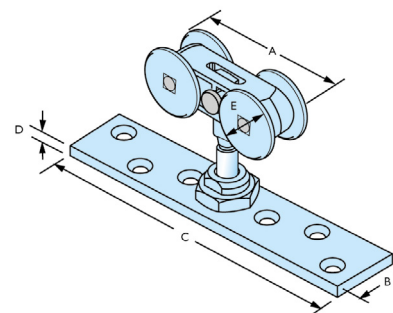


## 57

Short Code	Track Type	Door Material	Dimensions (mm)					Max. Door Weight*
			A	B	C	D	E	
57/290/SS**	290	Wood	87	39	187	3	37	150kg
57/301/SS***	301	Wood	135	39	187	3	49.5	270kg

\*\*Hanger body of high performance nylon. All other components in grade 304 (A2) stainless steel

\*\*\* Complete in grade 304 (A2) stainless steel



\*The maximum weight of each door carried by two hangers